

COBRA 3.1

The next generation of fog generators

a Look Solutions product



newly developed,
extremely silent nozzle

constant, steady Output

DMX, Ethernet, RDM

Made in Germany

The **Cobra 3.1** is a powerful fog generator, that sets new Standards concerning noise and handling.

The new Touchscreen makes the handling of the **Cobra 3.1** easy and intuitive.

Operation via Ethernet and RDM-features allow most flexible use.

The machine is supplied with a duct adaptor that also functions as a protection against contact.

Features

• New developed, extremely silent nozzle

With its newly developed nozzle the machine works very silent. The noise level at full output is 82.5 dBA (in comparison: the Viper 2.6 with 2600 Watt generates 100.5 dBA at full output).

The nozzle can be unscrewed and cleaned as needed.

• Two pumps for constant output

The use of two pumps ensures a very constant fog output at any pump level.

Therefore the continuous output up to 30% pump level is regulated from one pump, levels from 31% to 100% are regulated by a second, more powerful pump.

• New Touchscreen

All adjustments can be made easily and intuitive via the big Touchscreen with simple menu navigation.

• New control choices

Beside the stand-alone, analogue and DMX 512 control, the machine can also be operated via Ethernet (Artnet and sACN).

• RDM-capable

The **Cobra 3.1** is equipped with the following RDM-features:

- Status: Ready, Re-heating, Error messages (E-1, E-2 etc)
- DMX-Patch
- Temperature: Heating element, PCB
- Adjusting the Personality
- General Informations about the machine

• Finest adjustments of the output

Digital technology enables fine adjustments of the pump. In steps of 1% the output can be adjusted from 0 - 100%. Thus, any desired effect - from a tiny fog cloud to the thickest continuous fog - can be produced. This allows an individual adaptation to the dimensions of the room.

• Adjustable pump characteristic

Depending on the use of the **Cobra 3.1** and the desired effect, the user can choose between four different pump characteristics: Impulse, Extended, Flood and Continuous.

The output and fogging time varies depending on the chosen pump characteristic.

• Adjustable performance curve

For finest adjustments of the pump from 0% - 30%. In these-pump levels, the performance curve can be regulated 5% up or down, if the same output is needed at several machines or the aging process influences the output. Thus, different fog amounts can be balanced.

• Internal timer

With the internal timer, the fogging time can be adjusted in seconds, the wait time in minutes and the output in %. Once the timer is activated, the adjusted program will run until the timer is deactivated.

• Working hour meter

The **Cobra 3.1** is equipped with a working hour meter, that saves heating and fogging durations.

Liquid

The following Look fog liquids are available for the **Cobra 3.1**:

- Quick-Fog (thick, quick disappearing fog liquid)
- Regular-Fog (thick, long lasting fog liquid)
- Slow-Fog (thick, extremely long lasting fog liquid)

Specifications

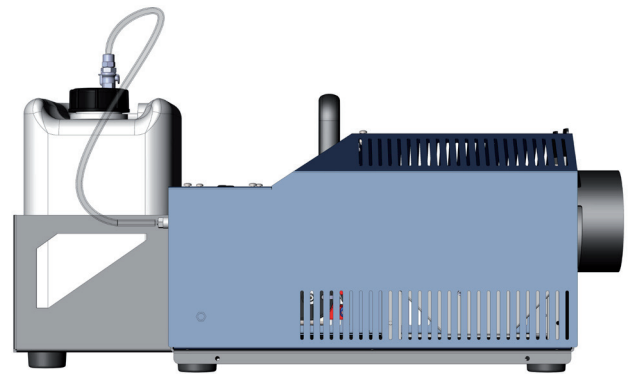
Procedure	Vaporizing fog generator
Power requirement	3100 Watt or <i>1800 Watt</i>
Voltage	230 V/50 Hz or <i>120 V/60 Hz</i>
Heat-up time	approx. 15 min. / <i>20 min.</i>
Fluid consumption, measured with Look Regular-Fog	
at max. Output	260 ml/min. / <i>175 ml/min.</i>
at continuous output	46 ml/min. / <i>28 ml/min.</i>
Fluid tank capacity	5 Liter
Fog output	adustable in 100 steps of 1%
Output projection	max. 25 m
Fogging time at 100% output	Extended-Mode: approx. 55 sec. / <i>50 sec.</i> Impulse-Mode: approx. 22 sec. / <i>22 sec.</i>
at < 30% output	Continuous output
Control	Manual 0 - 10 V analogue DMX 512 Ethernet (Artnet, sACN) Timer Radio remote (option) XLR-remote (option)
Temperature control	Microprocessor controlled
Overheating protection	Heater block/Thermostat Pump/Thermal switch
Dimensions (L x W x H)	58 x 26.5 x 26 cm
Weight without tank	16 kg

Specifications shown *italic* are valid for the 120 V version if different from the 230 V version.

Advantages

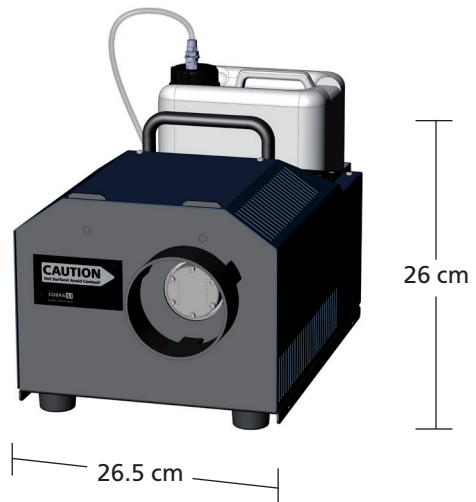
- Extremely silent nozzle
- Two pumps for strong, constant output
- Control via Ethernet, DMX 512, analogue (0 - 10 V) and manual mode
- Internal Timer
- Adjustments via Touchscreen with simple menu
- Several RDM features
- Fog output adjustable from 0 - 100% in steps of 1%
- Adjustable Pump characteristic

Dimensions



14.5 cm | 37.5 cm | 6 cm

58 cm



26 cm

26.5 cm

- Adjustable Performance curve
- Working hour meter
- Production and Service in Germany

Accessories (option)

- XLR-remote for analogue control
- Radio remote
- Flightcase

Service

Based on the strong partnership with the german manufacturer, Look Solutions is able to provide a quick and easy service which guarantees the high quality of all products.