

USER AND INSTALLATION MANUAL

MAG:CFX®

ENGLISH

/FX-BLOWER.®



CE AIR FX

PART02062

rev 01-00

DISCLAIMER

⚠ WARNING

Read this manual carefully before installing and/or using this product. Failure to read the manual and to follow the printed instructions may lead to personal injury and/or damage to the product.

© 2021 MAGICFX®
All rights reserved.

Nothing from this publication may be copied, reproduced and/or published by means of printing, photocopying or by any other means, without the prior written approval of MAGIC FX.

MAGIC FX reserves the right to modify specifications stated in this manual.

TRADEMARKS

Any brand names mentioned in this manual are registered trademarks of their respective owners.

LIABILITY

MAGIC FX accepts no liability for claims from third parties arising from unauthorized use, use other than that stated in this manual, and use other than in accordance with the General Conditions registered at the Chamber of Commerce.

We further refer to the General Conditions. These are available on request, free of charge.

Although considerable care has been taken to ensure a correct and comprehensive description of all relevant components, the manual may nonetheless contain errors and inaccuracies.

Should you detect any errors or inaccuracies in the manual, we would be grateful if you would inform us. This helps us to further improve our documentation.

TABLE OF CONTENTS

Disclaimer	3
Trademarks	3
Liability	3
Foreword	5
Language	5
Revision table	5
1 Meet the MAGICFX® FX-BLOWER!	6
1.1 Main parts	7
1.2 Technical data	8
1.3 Product identification	8
1.4 Accessories	9
1.5 Input & Output	9
2 Blow safely!	10
2.1 General safety rules	10
2.2 Transport	10
2.3 Indoor & Outdoor use	11
2.4 Rigging	11
2.5 Noise level	11
2.6 Safety symbols	11
2.7 Precautions for operation	12
3 Let's blow some air!	13
3.1 Install the machine	13
3.2 Time to blow!	14
3.3 Clean up	15
4 Truss bracket Accessory	16
4.1 Installation of the FX-BLOWER BRACKET	16
5 Maintenance	17
6 Troubleshooting	17
7 Correct disposal	17
8 EC Declaration of Conformity	18

FOREWORD

Congratulations! You have bought a great new product from MAGIC FX.

This manual contains all information required for the intended use of the equipment. Deviation from the described intended use can result in a hazardous situation and/or property damage.

This manual includes notes and warnings on safe operation of the equipment. These notes and warnings are accompanied by the following icons. Read them attentively!

⚠ DANGER

Indicates a hazardous situation that, if not avoided, will result in death or serious injury. This signal word is to be limited to the most extreme situations.

⚠ WARNING

Indicates a hazardous situation that, if not avoided, could result in death or serious injury.

⚠ CAUTION

Indicates a hazardous situation that, if not avoided, could result in minor or moderate injury.

NOTICE

Indicates information considered important, but not hazard-related (e.g. messages relating to property damage).

LANGUAGE

This document contains the original instructions in English. In case you require other languages please contact MAGIC FX.

REVISION TABLE

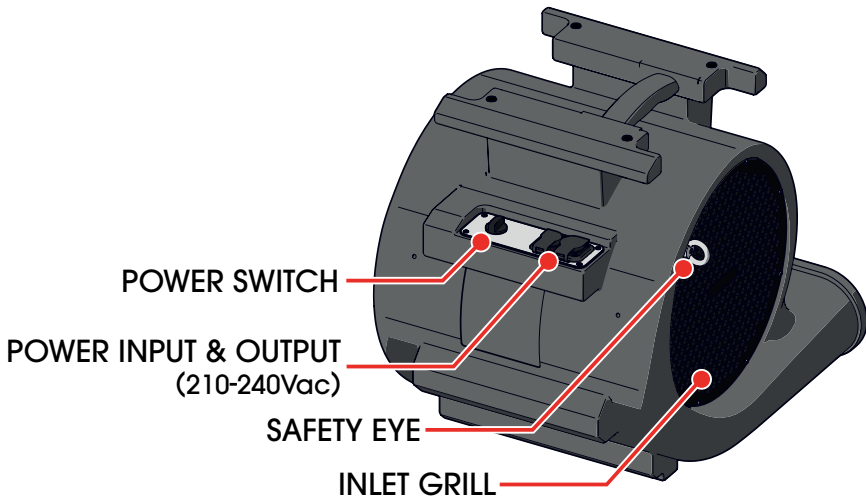
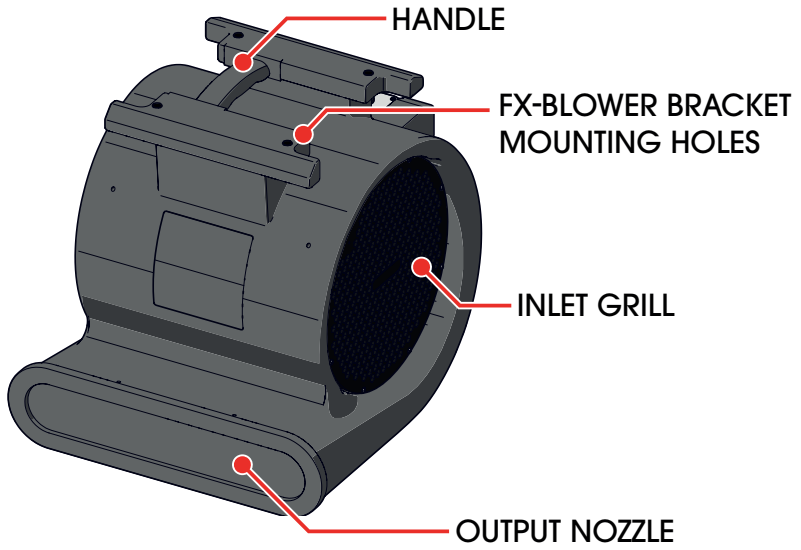
Doc nr	Revision	Date	Description	Author	Approved
PART02062	01-00	26-5-2021	Initial release	NE	LL

1 MEET THE MAGICFX® FX-BLOWER!

The MAGICFX® FX-BLOWER is a special effect machine that, is designed to create a powerful wind effect. The MAGICFX® FX-BLOWER can for example, be used to extend snow, foam, confetti, smoke, and haze effects. With this powerful electric blower, effects can be boosted up to 15 meters!

The MAGICFX® FX-BLOWER is intended for use in moving air in non-hazardous, non-flammable, non-explosive environments. The MAGICFX® FX-BLOWER is not intended for use in extremely dusty environments. Moving or circulating gas, substances, sprays, fumes, or a mixture thereof is not permitted.

1.1 MAIN PARTS

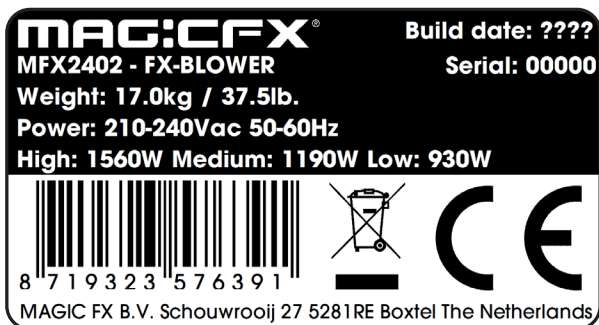


1.2 TECHNICAL DATA

Product	Product Name	MAGICCFX® FX-BLOWER	
	Product Code	MFX2402	
	Product Type	AIR FX	
Main Dimensions	Length	502 mm	19.8 in
	Width	457 mm	18.0 in
	Height	470 mm (500 mm = 45°)	18.5 in
Weight	Weight	17 kg	37.5 lb
Environment	Minimum Temperature	-20 °C	-4 °F
	Maximum Temperature	45 °C	113 °F
	Humidity (Relative)	20 % to 90 % (non condensing)	
Electrical	Voltage Input	210 - 240 Vac	
	Voltage Frequency	50 - 60 Hz	
	Power Consumption	1560 W	
	Power Connector	Neutrik® powerCON TRUE1 in/out	
Usage	Control options	3-position speed control	

Technical data

1.3 PRODUCT IDENTIFICATION



Type plate

1.4 ACCESSORIES

Code	Product
MFx0313	SCHUKO TO NEUTRIK® POWERCON TRUE1 - CABLE 1.5 m
MFx2403	MAGICFX® FX-BLOWER BRACKET
SPR00119	SAFETY STEEL 60 cm - 25 kg
MFx3104	DOUGHTY QUICK TRIGGER CLAMP (100kg)
MFx3106	DOUGHTY HALF COUPLER CLAMP (100kg)

Accessories

Please contact MAGIC FX for additional possibilities.

1.5 INPUT & OUTPUT

With the MAGICFX® FX-BLOWER BRACKET (MFx2403) the product can be hung in different angles underneath a TRUSS®.

The output distance depends on the speed position

Speed control	Start-up Power Peak	Nominal Power	Max. output distance	
Low	930 W	800 W	9 m	29.5 ft
Medium	1190 W	850 W	12 m	39.4 ft
High	1560 W	930 W	15 m	49.3 ft

NOTICE

Wind and other weather circumstances will influence the output distance. The given values are estimated values.

NOTICE

The estimated power consumption values may deviate due the Starting current.

2 BLOW SAFELY!

The machine has been designed and constructed in such a manner that it can be used safely. This applies to the use, the circumstances, and the regulations as described in this documentation. Reading this documentation and following the instructions are therefore necessary for everyone who is authorised to work with the machine.

The machine must be used in surroundings that:

- Have a stable temperature of between -20 and 50 °C.
- Have a relative humidity degree between 20 % and 90 % (non condensing).
- Are free of dust, corrosive gases and high concentrations of organic vapours.
- Are not situated in the vicinity of a source of vibration.

2.1 GENERAL SAFETY RULES

- Only authorized persons may carry out work with the MAGICFX® FX-BLOWER.
- Do not use the MAGICFX® FX-BLOWER if there are people or animals in the direct output.
- Do not use the MAGICFX® FX-BLOWER if alterations have been made other than by or on behalf of MAGICFX®.
- Make sure that children, unauthorized people and animals do not obtain access to the MAGICFX® FX-BLOWER.
- Make sure there are no free-standing objects or objects that can be damaged by the machine within the output distance.
- Do not connect more units to a single electrical circuit than the installed fuse is able to handle. (Calculate the summed load with the electrical data from Chapter 1)
- Do not connect the MAGICFX® FX-BLOWER to a dimmer (pack).
- Do not remove any safeguards, safety caps, and safety symbols.
- All required safety devices must be in good condition and function properly.
- Ensure sufficient lighting of the surroundings.
- Keep the workplace clean.

2.2 TRANSPORT

- Clean the device, make sure there is no confetti or other objects left inside the device.

2.3 INDOOR & OUTDOOR USE

The MAGICFX® FX-BLOWER is designed for indoor and outdoor use.

⚠ WARNING

The machine can not be used in rain or other wet conditions with any fluids.

2.4 RIGGING

Please follow the European and national guidelines for safe rigging and trussing.

2.5 NOISE LEVEL

The measured maximum noise level of the product is 76 dB(A) at 1 m distance away. This level of noise is only reached during the short instances that the output is active. Please follow the European and national guidelines regarding hearing protection.

2.6 SAFETY SYMBOLS

Symbol	Meaning
	Read the manual carefully before use!
	To reduce the risk of electric shock, do not remove cover. No user-serviceable parts inside. Refer servicing to qualified service personnel. Only connect to a socket with an earth leakage circuit breaker.
	Do not expose this appliance to rain or moisture.



Safety symbols

2.7 PRECAUTIONS FOR OPERATION

⚠ WARNING

Using a damaged or an improper installed machine can lead to death, serious injury or property damage. Always inspect the machine thoroughly before operation.

⚠ WARNING

Unauthorized operation of the machine can lead to death, serious injury or property damage. Never leave the machine unattended when the machine is ready for use.

⚠ WARNING

Do not use the MAGICFX® FX-BLOWER if alterations have been made other than by or on behalf of MAGICFX®.

⚠ WARNING

Missing or obscured safety symbols on the machine can lead to death, serious injury or property damage. Make sure all safety symbols are correctly in place and visible, see Section 2.6.

⚠ WARNING

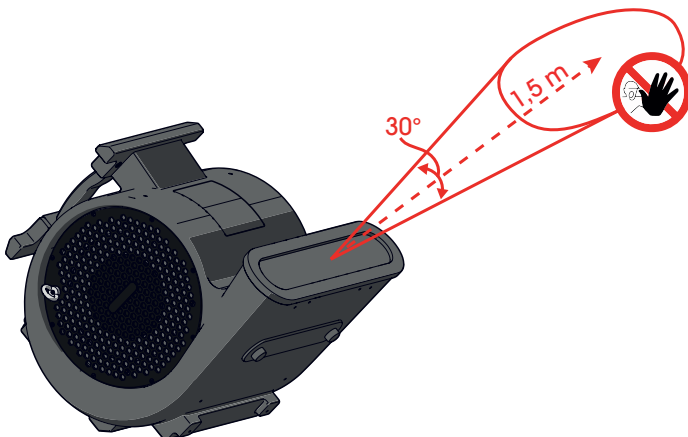
Make sure there are no objects near the input grill that can block the air to be sucked in.

⚠ WARNING

Make sure there are no objects near the output that can be damaged or overthrown by the MAGICFX® FX-BLOWER.

⚠ WARNING

Always keep the output zone as shown in the image below clear of all people, animals and objects. Not doing so results in death or serious injury.



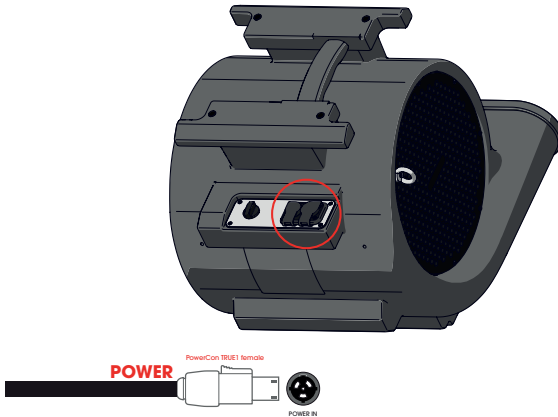
3 LET'S BLOW SOME AIR!

3.1 INSTALL THE MACHINE

- 1 Place the MAGICFX® FX-BLOWER on a firm surface. Make sure it is placed in a stable manner or built-in well.

- 2 Adjust the angle towards the desired direction.

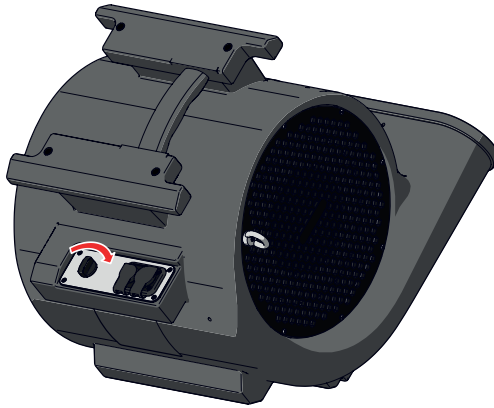
- 3 Connect a powerCON TRUE1 power cable to the power input. Connect the other end to a socket with an earth leakage circuit breaker.



⚠ CAUTION

Do not connect more units to a single electrical circuit that the installed fuse is able to handle. (Calculate the summed load with the electrical data from Chapter 1)

-
- 4 Set the position switch in the desired wind speed position. Low, Medium or High.



3.2 TIME TO BLOW!

- 1 Make sure that the direct output is free from persons, animals, and objects.

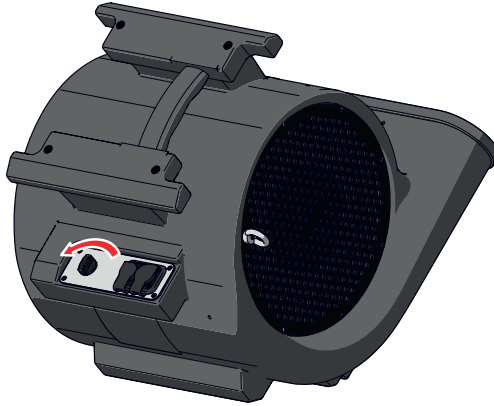
- 2 When it's time to blow, switch the power on.

- 3 Enjoy the view!

- 4 To deactivate, switch off the power.

3.3 CLEAN UP

- 1 Set the speed control button in the OFF position (0)



- 2 Disconnect the cables, place the TRUE1 protection cap.
-

- 3 Remove any remaining confetti from the outside of the machine.
-

4 TRUSS BRACKET ACCESSORY

4.1 INSTALLATION OF THE FX-BLOWER BRACKET

- 1** Please read the user and installation manual of the MAGICFX® FX-BLOWER BRACKET.
Available at <https://www.magicfx.eu/downloads/>
-

5 MAINTENANCE

To achieve the maximum service life of the MAGICFX® FX-BLOWER you must regularly clean the MAGICFX® FX-BLOWER and test if it is functioning correctly.

Contact MAGIC FX if the MAGICFX® FX-BLOWER is not functioning correctly.

⚠ DANGER

Do not replace parts yourself; always consult MAGIC FX.

6 TROUBLESHOOTING

Always contact MAGIC FX if any malfunctions or errors occur that cannot be solved with the instructions as described in this manual.

7 CORRECT DISPOSAL



This symbol on the product and / or accompanying documents means that used electrical and electronic products should not be mixed with general household waste. For proper treatment, recovery and recycling, please take this product to designated collection points where it will be accepted free of charge.

Alternatively, in some countries you may be able to return your products to your local retailer upon purchase of an equivalent new product.

Disposing of this product correctly will help save valuable resources and prevent any potential negative effects on human health and the environment, which could otherwise arise from inappropriate waste handling.

Please contact your local authority for further details of your nearest designated collection point.

Penalties may be applicable for incorrect disposal of this waste, in accordance with your national legislation.

8 EC DECLARATION OF CONFORMITY

According to Annex III A Machinery Directive 2006/42/EC

MAGIC FX B.V. declares as manufacturer and composer of the technical construction file that the product with the following specifications:

Name machine : FX-BLOWER®
Type : MFX2402
Voltage : 210-240Vac 50/60Hz
Serial number : on product
Year of construction : on product

Is in conformity with the minimal safety regulations as stated in the following directive(s):

- LVD (2014/35/EU) Low Voltage Directive
- EMC (2014/30/EC) ElectroMagnetic Compatibility
- RoHS (2011/65/EU) Restriction of the use of certain Hazardous Substances
- WEEE (2012/19/EU) Waste Electrical & Electronic Equipment

The following harmonized standards were applied:

- NEN-EN-ISO 12100:2010 Safety of machinery - General principles for design - Risk assessment and risk reduction.
- NEN-EN-IEC 60335-2-80:2003 + A1:2004 + A2:2009 Household and similar electrical appliances - Safety - Part 2-80: Particular requirements for fans.
- NEN-EN-IEC 60335-1:2012/A11:2014 Household and similar electrical appliances - Safety Part 1: General requirements.
- NEN-EN-IEC 62233:2008 Measurement methods for electromagnetic fields of household appliances and similar apparatus with regard to human exposure.

- Original declaration of conformity
 Translation of the original declaration of conformity

Name manufacturer : MAGIC FX B.V.
Address : Schouwrooij 27, 5281 RE BOXTEL
Country : The Netherlands

CEO : B. Veroude
Date : 4-3-2021

Signature :



USER AND INSTALLATION MANUAL

MAG:CFX®

ENGLISH

/FX-BLOWER® BRACKET



ACCESSORIES

PART02063

rev 01-00

DISCLAIMER

⚠ WARNING

Read this manual carefully before installing and/or using this product. Failure to read the manual and to follow the printed instructions may lead to personal injury and/or damage to the product.

© 2021 MAGICFX®
All rights reserved.

Nothing from this publication may be copied, reproduced and/or published by means of printing, photocopying or by any other means, without the prior written approval of MAGIC FX.

MAGIC FX reserves the right to modify specifications stated in this manual.

TRADEMARKS

Any brand names mentioned in this manual are registered trademarks of their respective owners.

LIABILITY

MAGIC FX accepts no liability for claims from third parties arising from unauthorized use, use other than that stated in this manual, and use other than in accordance with the General Conditions registered at the Chamber of Commerce.

We further refer to the General Conditions. These are available on request, free of charge.

Although considerable care has been taken to ensure a correct and comprehensive description of all relevant components, the manual may nonetheless contain errors and inaccuracies.

Should you detect any errors or inaccuracies in the manual, we would be grateful if you would inform us. This helps us to further improve our documentation.

TABLE OF CONTENTS

Disclaimer	2
Trademarks	2
Liability	2
Foreword	4
Language	4
Revision table	4
1 Meet the MAGICFX® FX-BLOWER BRACKET!	5
1.1 Main parts	6
1.2 Technical data	7
1.3 Product identification	7
1.4 Accessories	8
2 Use safely!	8
2.1 General safety rules	8
2.2 Indoor & Outdoor use	9
2.3 Rigging	9
2.4 Safety symbols	10
2.5 Precautions for operation	10
3 How to assemble the Bracket	11
3.1 Installation of the FX-BLOWER BRACKET	11
4 Maintenance	14
5 Troubleshooting	14
6 Correct disposal	14
7 EC Declaration of Conformity	15

FOREWORD

Congratulations! You have bought a great new product from MAGIC FX.

This manual contains all information required for the intended use of the equipment. Deviation from the described intended use can result in a hazardous situation and/or property damage.

This manual includes notes and warnings on safe operation of the equipment. These notes and warnings are accompanied by the following icons. Read them attentively!

⚠ DANGER

Indicates a hazardous situation that, if not avoided, will result in death or serious injury. This signal word is to be limited to the most extreme situations.

⚠ WARNING

Indicates a hazardous situation that, if not avoided, could result in death or serious injury.

⚠ CAUTION

Indicates a hazardous situation that, if not avoided, could result in minor or moderate injury.

NOTICE

Indicates information considered important, but not hazard-related (e.g. messages relating to property damage).

LANGUAGE

This document contains the original instructions in English. In case you require other languages please contact MAGIC FX.

REVISION TABLE

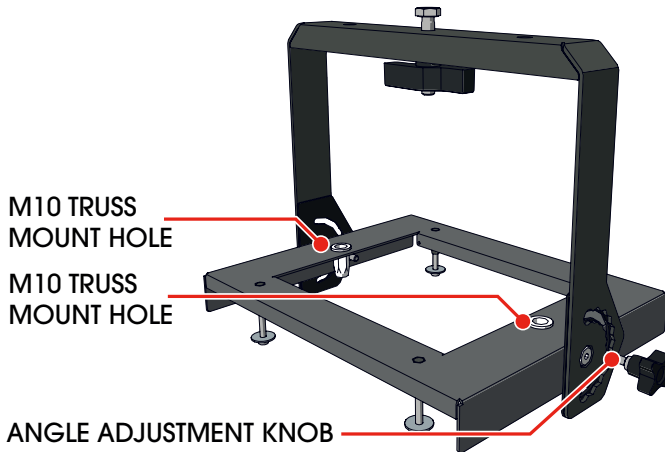
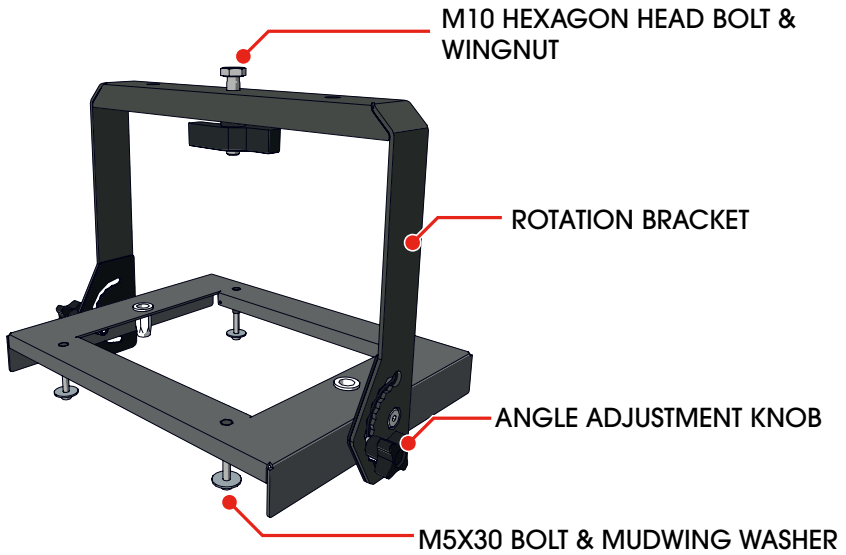
Doc nr	Revision	Date	Description	Author	Approved
PART02063	01-00	26-5-2021	Initial release	NE	LL

1 MEET THE MAGICFX® FX-BLOWER BRACKET!

The MAGICFX® FX-BLOWER BRACKET is an accessory that is designed for the MAGICFX® FX-BLOWER. With the MAGICFX® FX-BLOWER BRACKET it is possible to hang the MAGICFX® FX-BLOWER below a truss in different angles / positions.

The MAGICFX® FX-BLOWER BRACKET is only for use in combination with the MAGICFX® FX-BLOWER. Use in combination with other blowers or machines is not permitted.

1.1 MAIN PARTS

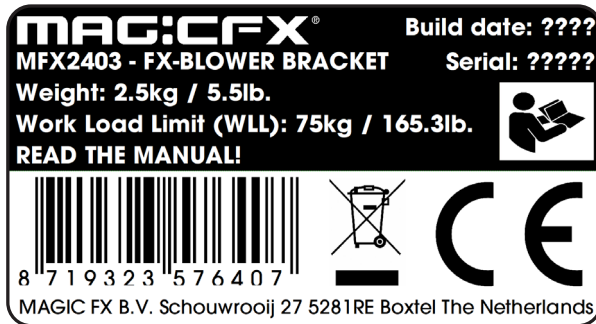


1.2 TECHNICAL DATA

Product	Product Name	MAGICFX® FX-BLOWER BRACKET	
	Product Code	MFX2403	
	Product Type	ACCESSORIES	
Main Dimensions	Length	245 mm	9.7 in
	Width	365 mm	14.4 in
	Height	270 mm	10.7 in
Weight	Weight	2.5 kg	5.5 lb
Work Load Limit	WLL	75 kg	165 lb
Environment	Minimum Temperature	-20 °C	-4 °F
	Maximum Temperature	45 °C	113 °F
	Humidity (Relative)	20 % to 90 % (non condensing)	

Technical data

1.3 PRODUCT IDENTIFICATION



Type plate

1.4 ACCESSORIES

Code	Product
MF3104	DOUGHTY QUICK TRIGGER CLAMP (100kg)
MF3106	DOUGHTY HALF COUPLER CLAMP (100kg)

Accessories

Please contact MAGIC FX for additional possibilities.

2 USE SAFELY!

The MAGICFX® FX-BLOWER BRACKET has been designed and constructed in such a manner that it can be used safely. This applies to the use, the circumstances and the regulations as described in this documentation. Reading this documentation and following the instructions are therefore necessary for everyone who is authorised to work with this accessory.

The MAGICFX® FX-BLOWER BRACKET must be used in surroundings that:

- Have a stable temperature of between -20 and 50 °C.
- Have a relative humidity degree between 20 % and 90 % (non condensing).
- Are free of corrosive gases, and high concentrations of organic vapours.
- Are not situated in the vicinity of a source of vibration.
- Are free of sea or chlorine spray.

2.1 GENERAL SAFETY RULES

- Only authorized persons may carry out work with the MAGICFX® FX-BLOWER BRACKET.
- Do not use the MAGICFX® FX-BLOWER BRACKET if alterations have been made other than by or on behalf of MAGICFX®.
- Make sure that children, unauthorized people and animals do not obtain access to the MAGICFX® FX-BLOWER BRACKET.
- Do not remove any safeguards, safety caps and safety symbols.
- All required safety devices must be in good condition and function properly.
- Regularly check if all the fasteners are tightened.
- Regularly check if there are no corrosive layers on the fasteners. Replace if present.

2.2 INDOOR & OUTDOOR USE

The MAGICFX® FX-BLOWER BRACKET is designed for indoor and outdoor use.

WARNING

The MAGICFX® FX-BLOWER BRACKET can not be used in rain or other wet conditions with any fluids.

2.3 RIGGING

Please follow the European and national guidelines for safe rigging and trussing.

WARNING

The MAGICFX® FX-BLOWER BRACKET is especially designed for the MAGICFX® FX-BLOWER . De not use the MAGICFX® FX-BLOWER BRACKET with other equipment than the MAGICFX® FX-BLOWER.

WARNING

MAGICFX® is not responsible for any rigging equipment and accessories provided by third party manufacturers. Verify that the Work Load Limit (WLL) of all additional hardware rigging accessories is respected.


WARNING

Reduce the risk of falling objects! Verify no unattached items remain on the MAGICFX® FX-BLOWER BRACKET

WARNING

Work only with qualified personnel for rigging the MAGICFX® FX-BLOWER BRACKET.

2.4 SAFETY SYMBOLS

Symbol	Meaning
	Read the manual carefully before use!

Safety symbols

2.5 PRECAUTIONS FOR OPERATION

⚠ WARNING

Using a damaged or an improper installed MAGICFX® FX-BLOWER BRACKET can lead to death, serious injury or property damage. Always inspect the MAGICFX® FX-BLOWER BRACKET thoroughly before operation.

⚠ WARNING

Do not use the MAGICFX® FX-BLOWER BRACKET if alterations have been made other than by or on behalf of MAGICFX®.

⚠ WARNING

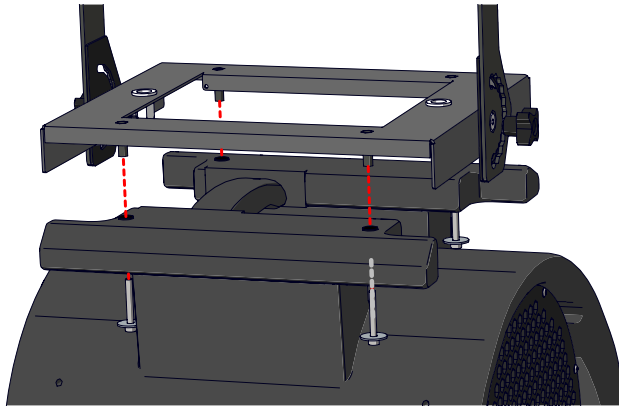
Missing or obscured safety symbols on the machine can lead to death, serious injury or property damage. Make sure all safety symbols are correctly in place and visible, see Section 2.4.

3 HOW TO ASSEMBLE THE BRACKET

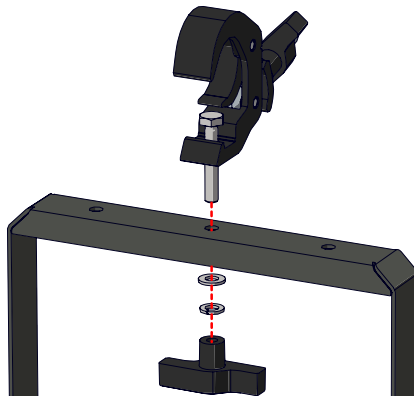
3.1 INSTALLATION OF THE FX-BLOWER BRACKET

- 1 Remove the eight plastic caps from the mounting holes on top of the machine.
-

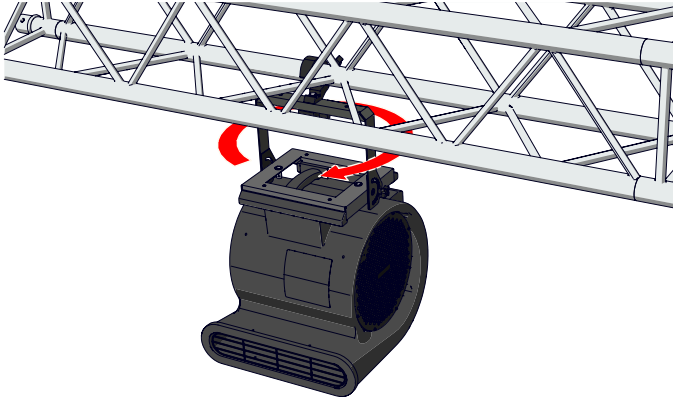
- 2 Place the bracket on top of the MAGICFX® FX-BLOWER and mount the supplied bolts and washers. Apply thread-locker (LOCTITE® 243) on the bolts.



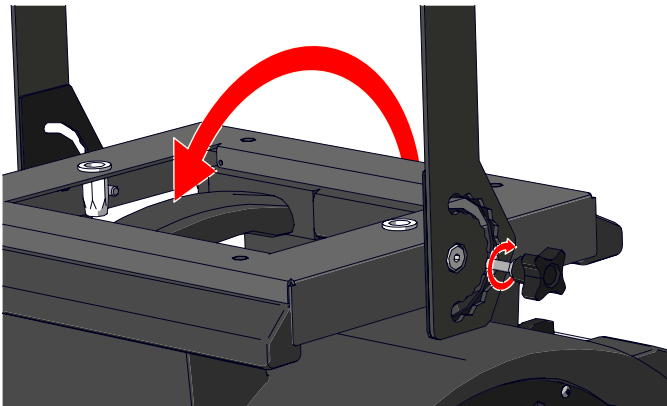
- 3 Mount the Doughty Quick-trigger Clamp (MFX3104) on top of the bracket with the supplied fasteners.



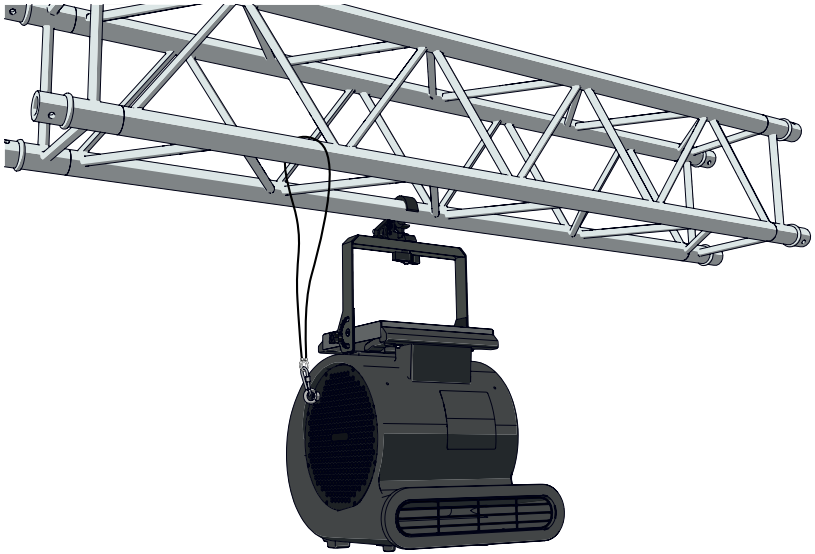
-
- 4** Hang the assembly below a truss and rotate over the vertical axis of the MAGICFX® FX-BLOWER by untighten and tighten the female T-nut underneath the clamp.



-
- 5** Rotate over the horizontal axis of the MAGICFX® FX-BLOWER by untighten and tighten the male star-nuts on both sides of the rotation bracket.



-
- 6 Always secure the MAGICFX® FX-BLOWER with the build-on safety eye and a certified safety-chain to the truss. (SPR00119)



⚠ WARNING

Make sure that the maximum weight on the safety-chain is calculated.

4 MAINTENANCE

To achieve the maximum service life of the MAGICFX® FX-BLOWER BRACKET you must regularly clean the MAGICFX® FX-BLOWER BRACKET and test if it is functioning correctly.

Contact MAGIC FX if the MAGICFX® FX-BLOWER BRACKET is not functioning correctly.

⚠ DANGER

Do not replace parts yourself; always consult MAGIC FX.

5 TROUBLESHOOTING

Always contact MAGIC FX if any malfunctions or errors occur that cannot be solved with the instructions as described in this manual.

6 CORRECT DISPOSAL



This symbol on the product and / or accompanying documents means that used electrical and electronic products should not be mixed with general household waste. For proper treatment, recovery and recycling, please take this product to designated collection points where it will be accepted free of charge.

Alternatively, in some countries you may be able to return your products to your local retailer upon purchase of an equivalent new product.

Disposing of this product correctly will help save valuable resources and prevent any potential negative effects on human health and the environment, which could otherwise arise from inappropriate waste handling.

Please contact your local authority for further details of your nearest designated collection point.

Penalties may be applicable for incorrect disposal of this waste, in accordance with your national legislation.

7 EC DECLARATION OF CONFORMITY

According to Annex III A Machinery Directive 2006/42/EC

MAGIC FX B.V. declares as manufacturer and composer of the technical construction file that the product with the following specifications:

Name machine : FX-BLOWER BRACKET
Type : MFX2403
Work Load Limit : 75 kg | 165 lb
Serial number : on product
Year of construction : on product

The following harmonized standards were applied:

- NEN-EN-ISO 12100:2010 Safety of machinery - General principles for design - Risk assessment and risk reduction.
- NEN-EN 13155:2020 Crane - Safety - Non-fixed load lifting attachments

- Original declaration of conformity
 Translation of the original declaration of conformity

Name manufacturer : MAGIC FX B.V.
Address : Schouwrooij 27, 5281 RE BOXTEL
Country : The Netherlands

CEO : B. Veroude
Date : 23-3-2021

Signature :



MAG:CFX[®]

WWW.MAGICFX.EU

