

/SNOWBOX.®



DISCLAIMER

⚠ WARNING

Read this manual carefully before installing and/or using this product. Failure to read the manual and to follow the printed instructions may lead to personal injury and/or damage to the product.

© 2023 MAGICFX®
All rights reserved.

Nothing from this publication may be copied, reproduced and/or published by means of printing, photocopying or by any other means, without the prior written approval of MAGIC FX.

MAGIC FX reserves the right to modify specifications stated in this manual.

TRADEMARKS

Any brand names mentioned in this manual are registered trademarks of their respective owners.

LIABILITY

MAGIC FX accepts no liability for claims from third parties arising from unauthorised use, use other than that stated in this manual, and use other than in accordance with the General Conditions registered at the Chamber of Commerce.

We further refer to the General Conditions. These are available on request, free of charge.

Although considerable care has been taken to ensure a correct and comprehensive description of all relevant components, the manual may nonetheless contain errors and inaccuracies.

Should you detect any errors or inaccuracies in the manual, we would be grateful if you would inform us. This helps us to further improve our documentation.

TABLE OF CONTENTS




Disclaimer	2
Trademarks	2
Liability	2
Foreword	4
Language	4
Revision table	4
1 Meet the MAGICFX® SNOWBOX!	5
1.1 Main parts	6
1.2 Technical data	7
1.3 Product identification	7
1.4 Accessories	8
1.5 FX fluids	8
2 Snow safely!	9
2.1 General safety rules	9
2.2 Indoor use	9
2.3 Rigging	9
2.4 Noise level	10
2.5 Safety symbols	10
2.6 Precautions for operation	10
3 Let's snow!	12
3.1 Install the machine.	12
3.2 Mount below a truss.	13
3.3 Mount on a truss.	14
3.4 Connect power.	16
3.5 (Re)place the can with snow fluid.	17
3.6 Time to snow!	18
3.7 Clean up	19
4 Maintenance	20
5 Troubleshooting	20
6 Correct disposal	21
7 Ec declaration of conformity	22

FOREWORD

Congratulations! You have bought a great new product from MAGIC FX.

This manual contains all information required for the intended use of the equipment. Deviation from the described intended use can result in a hazardous situation and/or property damage.

This manual includes notes and warnings on safe operation of the equipment. These notes and warnings are accompanied by the following icons. Read them attentively!

 DANGER	Indicates a hazardous situation that, if not avoided, will result in death or serious injury. This signal word is to be limited to the most extreme situations.
 WARNING	Indicates a hazardous situation that, if not avoided, could result in death or serious injury.
 CAUTION	Indicates a hazardous situation that, if not avoided, could result in minor or moderate injury.
NOTICE	Indicates information considered important, but not hazard-related (e.g. messages relating to property damage).

LANGUAGE

This document contains the original instructions in English. In case you require other languages please contact MAGIC FX.

REVISION TABLE

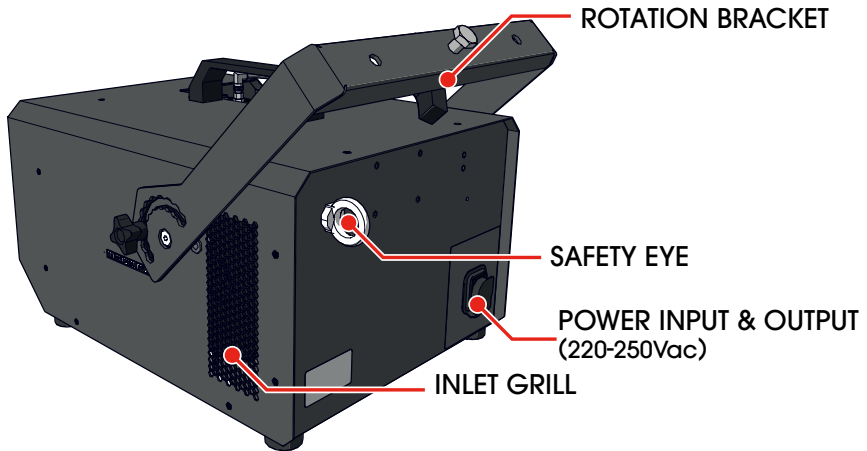
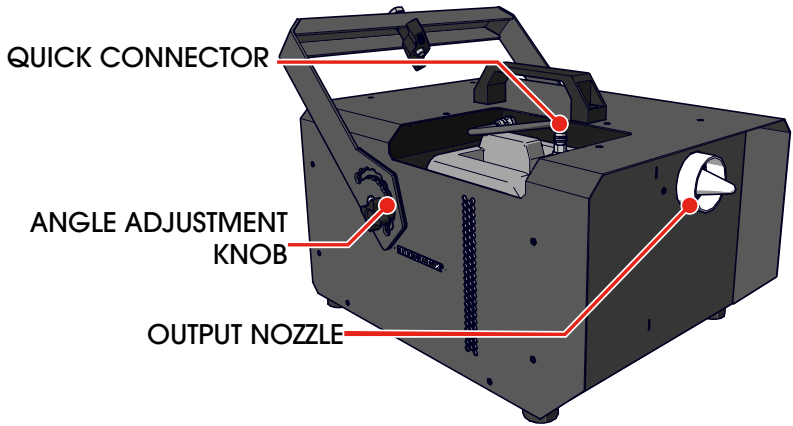
Doc nr	Revision	Date	Description	Author	Approved
PART02018	01-00	02-10-2020	Initial release	PW	LL
PART02018	02-00	04-06-2021	Update with new bracket	PW	LL
PART02018	02-01	08-06-2023	Update	MBO	RD

1 MEET THE MAGICFX® SNOWBOX!

The MAGICFX® SNOWBOX is a special effects machine that creates a simulated snow effect. The machine launches snow into the air up to 7 meters!

The machine pumps snow fluid from a can to the snow head. The snow fluid leaves the snow head through a cone formed mesh. This creates the snow effect.

1.1 MAIN PARTS



1.2 TECHNICAL DATA

Product	Product Name	MAGICFX® SNOWBOX	
	Product Code	MFX1705	
	Product Type	SNOW FX	
Main Dimensions	Length	395 mm	15.5 in
	Width	303 mm	11.9 in
	Height	220 mm	8.7 in
Weight	Weight	10 kg	22.05 lb
Environment	Minimum Temperature	0 °C	32 °F
	Maximum Temperature	50 °C	122 °F
	Humidity (Relative)	20 % to 90 % (non condensing)	
Electrical	Voltage Input	210 - 240 Vac	
	Voltage Frequency	50 - 60 Hz	
	Power Consumption	1500 W	
	Power Connector	Neutrik® powerCON TRUE1 (in & out)	
Usage	Consumable(s)	MAGICFX® SNOWBOX - SNOW FLUID	
	Consumable Consumption	MAGICFX® SNOWBOX - SNOW FLUID: 0.2L/min	

Technical data

1.3 PRODUCT IDENTIFICATION



Type plate

1.4 ACCESSORIES

Code	Product
MFX0313	SCHUKO TO NEUTRIK® POWERCON TRUE1 - CABLE 1.5 m
MFX3103	TWENTY CLAMP (20 kg) M10
MFX3106	HALF COUPLER (100kg) M10
SPR00119	SAFETY STEEL 60 cm - 25 kg

Accessories

Please contact MAGIC FX for additional possibilities.

1.5 FX FLUIDS

The MAGICFX® SNOWBOX uses MAGICFX® SNOWBOX - SNOW FLUID to create the snow effect. The fluid is delivered in a can. Do not use other fluids than those that are approved and supplied by MAGIC FX, see following table.

Code	Type of fluid	Volume
MFX1303	MAGICFX® SNOWBOX - SNOW FLUID	2.5 litre

Approved FX Fluids

2 SNOW SAFELY!

The MAGICFX® SNOWBOX has been designed and constructed in such a manner that it can be used safely. This applies to the use, the circumstances and the regulations as described in this documentation. Reading this documentation and following the instructions are therefore necessary for everyone who is authorised to work with the MAGICFX® SNOWBOX.

The MAGICFX® SNOWBOX must be used in surroundings that:

- Have a stable temperature of between 0 and 50 °C.
- Have a relative humidity degree between 20 % and 90 % (non condensing).
- Are free of dust, corrosive gases and high concentrations of organic vapours.
- Are not situated in the vicinity of a source of vibration.

2.1 GENERAL SAFETY RULES

- Only authorised persons may carry out work with the MAGICFX® SNOWBOX.
- Do not use the MAGICFX® SNOWBOX if there are people or animals in the direct output.
- Make sure there are no objects in the direct output that can be damaged by the MAGICFX® SNOWBOX (e.g. by getting wet).
- Make sure that children, unauthorised people and animals do not obtain access to the MAGICFX® SNOWBOX.
- Do not connect more units to a single electrical circuit than the installed fuse is able to handle. (Calculate the summed load with the electrical data from Chapter 1)
- Do not remove any safeguards, safety caps and safety symbols.
- All required safety devices must be in good condition and function properly.
- Ensure sufficient lighting of the surroundings.
- Keep the workplace clean.

2.2 INDOOR USE

The MAGICFX® SNOWBOX is designed for indoor and outdoor use.

⚠ WARNING

The machine can not be used in rain or other wet conditions with any fluids.


2.3 RIGGING

Please follow the European and national guidelines for safe rigging and trussing.

2.4 NOISE LEVEL






The measured maximum noise level of the product is 81 dB(A) at 1 m distance away. This level of noise is only reached during the short instances that the output is active. Please follow the European and national guidelines regarding hearing protection.

2.5 SAFETY SYMBOLS

Symbol	Meaning
	Read the manual carefully before use!

Safety symbols

2.6 PRECAUTIONS FOR OPERATION

 WARNING	Using a damaged or an improper installed machine can lead to death, serious injury or property damage. Always inspect the machine thoroughly before operation.
 WARNING	Unauthorized operation of the machine can lead to death, serious injury or property damage. Never leave the machine unattended when the machine is ready for use.
 WARNING	Do not use the MAGICFX® SNOWBOX if alterations have been made other than by or on behalf of MAGICFX®.
 WARNING	Make sure there are no objects near the input grill that can block the air to be sucked in.
 CAUTION	Always follow the instructions as noted on the cans.

⚠ CAUTION

Missing or obscured safety symbols on the machine can lead to death, serious injury or property damage. Make sure all safety symbols are correctly in place and visible, see section 2.6.

⚠ CAUTION

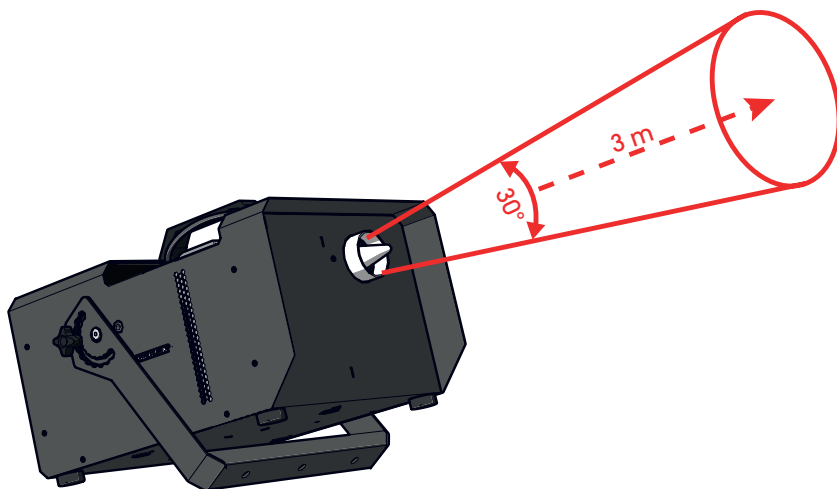
Walk carefully when approaching the machine. The floor can be slippery due to spilled snow fluids.

NOTICE

Do not use other fluids than those that are approved and supplied by MAGIC FX, see Section 1.5.

⚠ WARNING

Always create a safety zone of 3 m in front of the MAGICFX® SNOWBOX when the snow comes directly from the snow output.

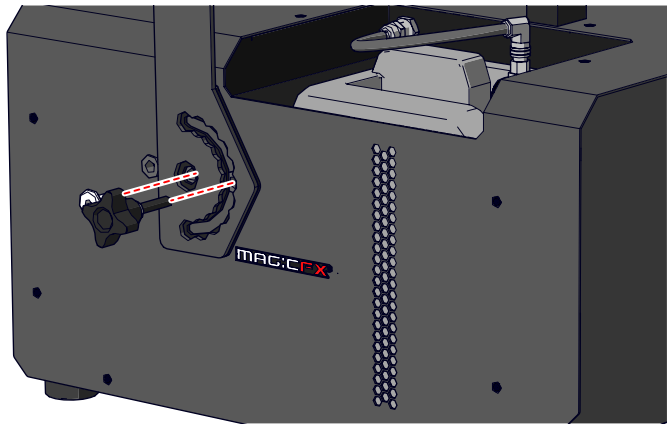


3 LET'S SNOW!

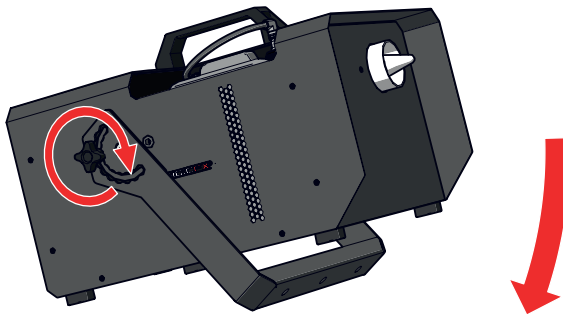
3.1 INSTALL THE MACHINE.

- 1 Install the MAGICFX® SNOWBOX on a firm surface with the supplied bracket the MAGICFX® SNOWBOX can be placed under an angle.
-

- 2 Mount the bracket using the supplied bolts and spacers.



- 3 Place the MAGICFX SNOWBOX under an angle by rotating the bracket to the bottom side of the machine and tighten the starknobs on both sides.

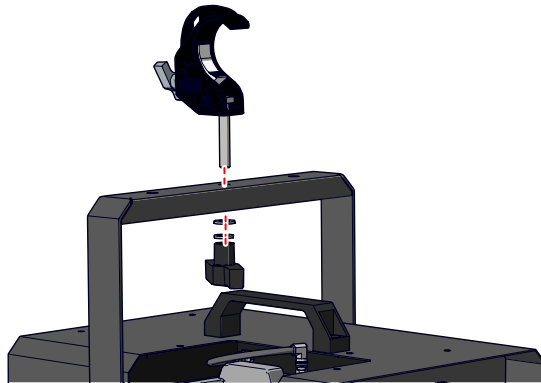


3.2 MOUNT BELOW A TRUSS.

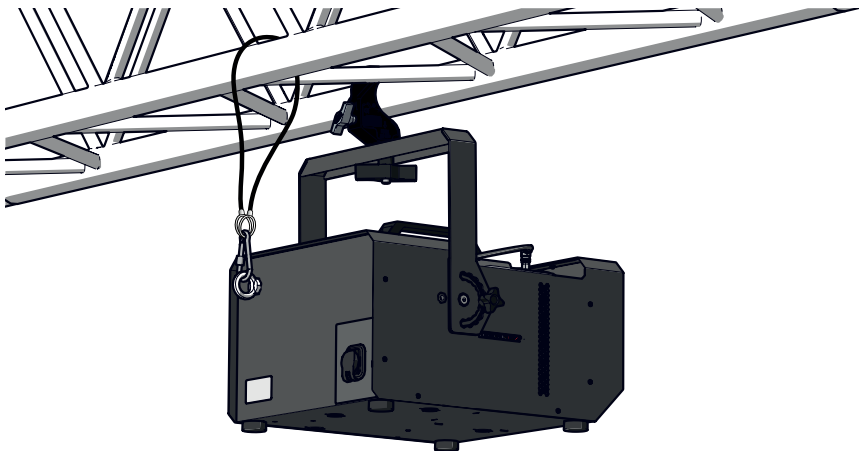
NOTICE

Use a MAGICFX® BASEPLATE II for mounting on top of an upright truss, see the User and Installation manual of the MAGICFX® BASEPLATE II (PART01575).

- 1 Mount the bracket on top of the machine and screw a twenty clamp (MF3103) on the bracket with an M10 bolt, spring washer and lock nut..

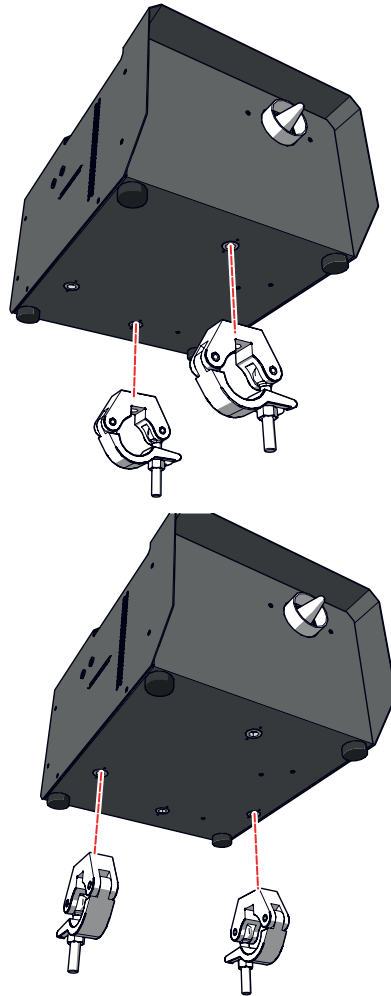


- 2 Mount the twenty clamp on a truss and secure with a certified safety cable.

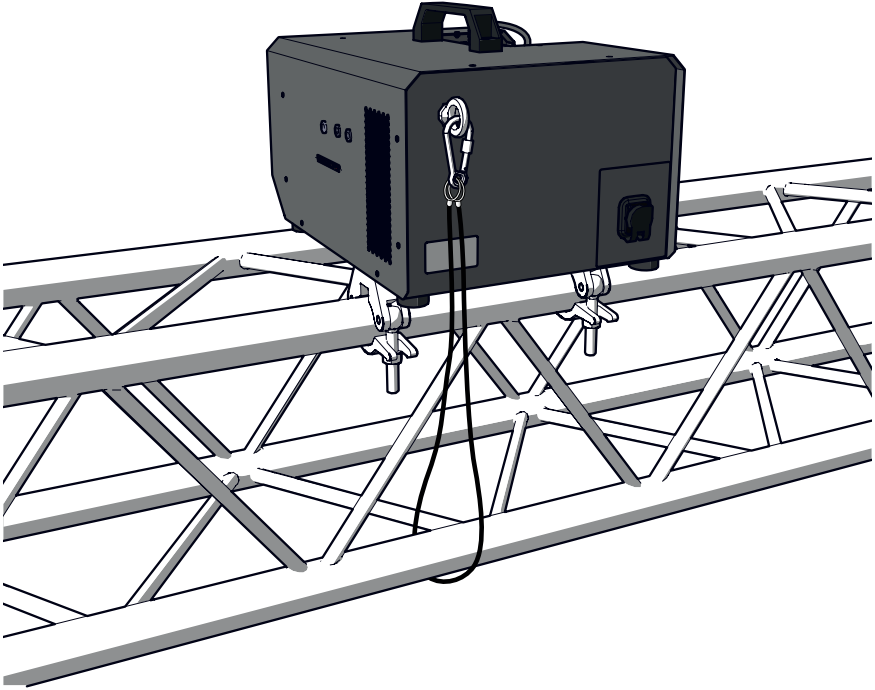


3.3 MOUNT ON A TRUSS.

- 1 Screw two half couplers into the threaded holes on the bottom of the machine. (product code MFX3106) and place in the desired direction.

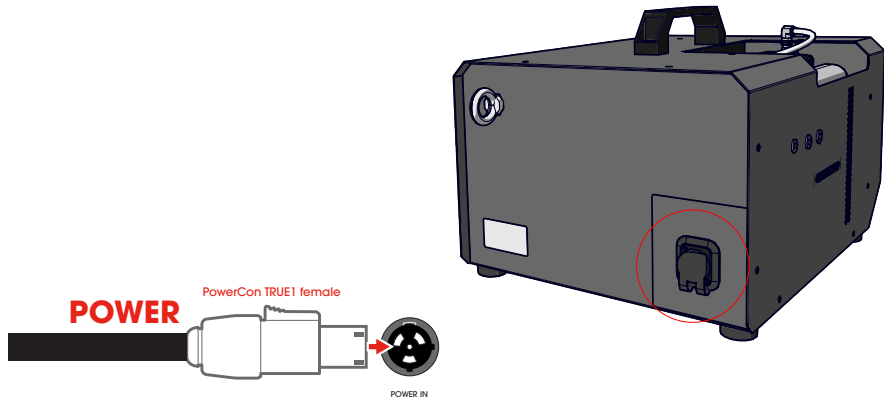


-
- 2 Mount the half coupler on a truss and secure with a certified safety cable.



3.4 CONNECT POWER.

- 1 Make sure that the power output on the controller or power switch is disabled.
-
- 2 Connect a powerCON TRUE1 power cable to the power input.
-



- 3 Connect the other end of the powerCON TRUE1 cable to the controller or power switch.
-

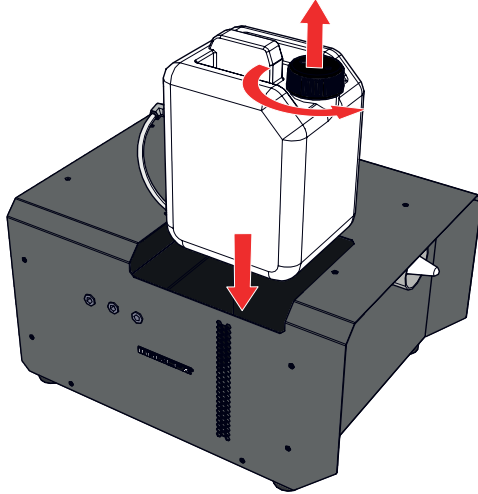
⚠ CAUTION

Do not connect more units to a single electrical circuit that the installed fuse is able to handle. (Calculate the summed load with the electrical data from Chapter 1)

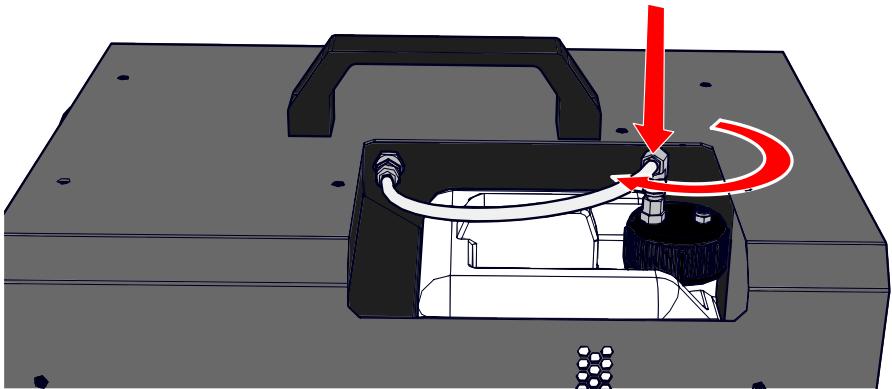
3.5 (RE)PLACE THE CAN WITH SNOW FLUID.

⚠ WARNING Always follow the instructions as noted on the cans.

- 1 Place a can with snow fluid in the cabinet and remove the original lid.



- 2 Connect the snow lid with hose and quick connector on the can, and connect the hose with the quick connector on the lid.

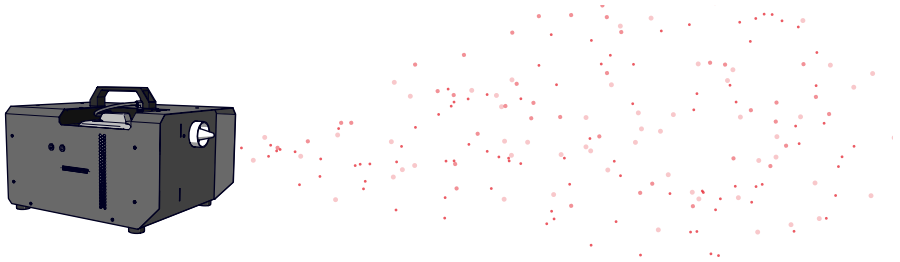


3.6 TIME TO SNOW!

1 Make sure that the direct output is free from persons and objects.

2 When it's time to snow, switch the power on.

3 Enjoy the snow!



4 To deactivate the effect, switch off the power.

3.7 CLEAN UP

- 1** Place an can filled with water in the cabinet and switch the power on to clean the nozzle and fluid hoses. Do this for about one minute.
-

- 2** Disconnect the powercables, place the protection cap on the True1 connector on the machine.
-

- 3** Wipe down the machine with hand warm water and a cloth.
-

4 MAINTENANCE

To achieve the maximum service life of the MAGICFX® SNOWBOX you must regularly clean the MAGICFX® SNOWBOX and test if it is functioning correctly.

Contact MAGIC FX if the MAGICFX® SNOWBOX is not functioning correctly.

⚠ DANGER

Do not replace parts yourself; always consult MAGIC FX.

5 TROUBLESHOOTING

Always contact MAGIC FX if any malfunctions or errors occur that cannot be solved with the instructions as described in this manual.

6 CORRECT DISPOSAL



This symbol on the product and / or accompanying documents means that used electrical and electronic products should not be mixed with general household waste. For proper treatment, recovery and recycling, please take this product to designated collection points where it will be accepted free of charge.

Alternatively, in some countries you may be able to return your products to your local retailer upon purchase of an equivalent new product.

Disposing of this product correctly will help save valuable resources and prevent any potential negative effects on human health and the environment, which could otherwise arise from inappropriate waste handling.

Please contact your local authority for further details of your nearest designated collection point.

Penalties may be applicable for incorrect disposal of this waste, in accordance with your national legislation.

7 EC DECLARATION OF CONFORMITY

DECLARATION OF CONFORMITY

According to Annex III A Machinery Directive 2006/42/EC

MAGIC FX B.V. declares as manufacturer and composer of the technical construction file that the product with the following specifications:

Name machine	: SNOWBOX®
Type	: MFX1705
Voltage	: 210-240Vac 50-60Hz
Serial number	: on product
Year of construction	: on product

Is in conformity with the minimal safety regulations as stated in the following directive(s):

- LVD (2014/35/EU) Low Voltage Directive
- EMC (2014/30/EU) ElectroMagnetic Compatibility
- RoHS (2011/65/EU) Restriction of the use of certain Hazardous Substances
- WEEE (2012/19/EU) Waste Electrical & Electronic Equipment

The following harmonized standards were applied:

- NEN-EN-ISO 12100:2010 Safety of machinery - General principles for design - Risk assessment and risk reduction.
- NEN-EN-ISO 13732-1:2008 Ergonomics of the thermal environment – Methods for the assessment of human responses to contact with surfaces – Part 1: Hot surfaces.
- NEN-EN-IEC 60204-1:2006, Safety of machinery - Electrical equipment of machines - Part 1: General requirements.
- NEN-EN-IEC 61000-6-3:2007/A1:2011, Electromagnetic compatibility (EMC) - Part 6-3: Generic standards - Emission standard for residential, commercial and light-industrial environments.

- Original declaration of conformity
 Translation of the original declaration of conformity

Name manufacturer	: MAGIC FX B.V.
Address	: Schouwrooij 27, 5281 RE BOXTEL
Country	: The Netherlands

CEO	: B. Veroude
Date	: 23-10-2020

Signature :



MAG:CFX[®]

WWW.MAGICFX.EU

